

CCTV Camera

EN-DI45B Series

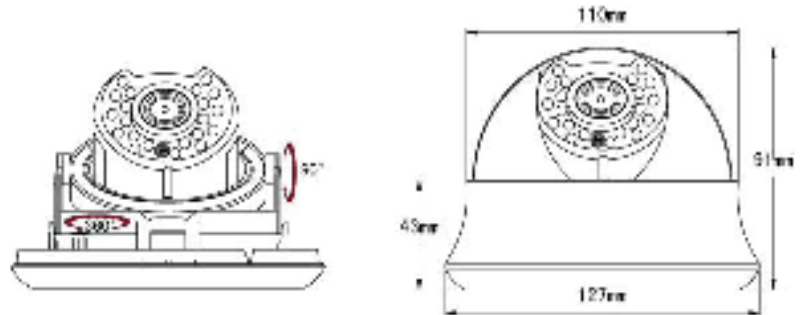


Features

- ◆ 4.5 inch Plastic IR Dome Camera
- ◆ SONY / SHARP Color CCD
- ◆ 22 pcs ϕ 5mm IR-LED, IR Range 20M
- ◆ 3-Axis bracket inside, Easy For Installation
- ◆ Built-in 3.6mm Board Lens



Size Chart



Specifications

Model Name	EN-DI45B-65H	EN-DI45B-3*	EN-DI45B-' &	EN-DI45B-31
Image Device	1/3 SONY	1/3 SHARP	1/3 SONY	1/3 SHARP
Resolution	$\hat{I} \odot$ TVL	500 TVL	420 TVL	420 TVL
Picture Elements	PAL:795(H) \times 596(V) NTSC:811(H) \times 508(V)	PAL:752(H) \times 582(V); NTSC:768(H) \times 494(V)	PAL:500(H) \times 582(V); NTSC:510(H) \times 492(V)	
Min. Illumination	0.2 Lux /F2.0	0.8 Lux /F2.0	1.0 Lux /F2.0	
TV System	PAL/NTSC			
Lens Furnished	3.6mm Board Lens (Optional 4mm or 6mm Lens)			
Infrared Luminary	22 pieces ϕ 5 mm IR-LED			
Illuminate Distance	20 M			
Wavelength	850 nm			
S/N Ratio	More than 48dB			
Electronic Shutter	NTSC:1/60~1/100,000, PAL:1/50~1/110,000			
Gamma	0.45			
White Balance	Auto			
Gain Control	Auto			
Sync. System	Internal			
Video Output	1 Vp-p / 75 Ohms			
Power Supply	DC12V \pm 10%			
Operation Temperature	-10 $^{\circ}$ C ~ +50 $^{\circ}$ C RH95% Max			
Dimension	ϕ 127 x 91 mm			
Weight	600g			